

WAGNER

REINHARDT-TECHNIK

Liquid silicone rubber (LSR)



**YOUR PARTNER FOR METERING
AND MIXING TECHNOLOGY**

**REINHARDT-TECHNIK
IS A PROUD MEMBER
OF WAGNER**

LSR variants

We offer a wide range of products and systems for processing various applications, taking into account local requirements and manufacturing environments.

We understand your requirements. Therefore, we offer solutions that meet your expectations:

Benefits

- Consistent quality due to constant mixing precision
- Reliable production by monitoring the relevant process parameters
- Significant cost savings due to perfect material utilisation
- Innovative solutions enable material savings, increase productivity and enhance sustainability
- Robust 2K processing systems for reliable operation in demanding production environments
- Easy handling due to user-friendly and ergonomic design
- Optimized system designs and functionalities based on close cooperation with manufacturers, LSR processors and injection molding machine manufacturers
- Standardized product portfolio offers short delivery times, fast on-site service and constant availability of spare parts

LSR eTwin Connect

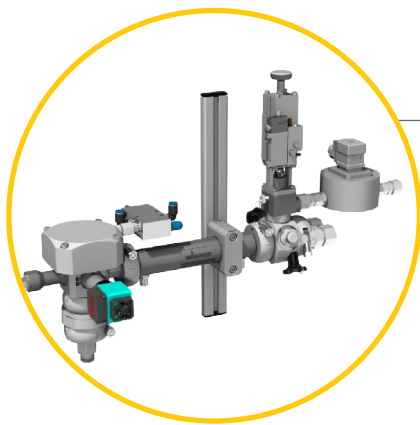
The LSR eTwin Connect represents the new generation of dosing & mixing systems for liquid silicone rubber. The dosing and mixing system meets the requirements for consistently high productivity and quality at both low and high shot weights. This requires reliable equipment for further development and adequate quality control. This product line has first-class features for great ease of operation, higher efficiency and significant cost savings.

- **MATERIAL SAVINGS AND INCREASED EFFICIENCY**
Optimized follower plate incl. automated de-aeration.
Simultaneous drum emptying due to precise servo drives.
Automatic pump de-aeration.
- **HIGH PRODUCTIVITY AND QUALITY**
addControl (additive dosing control) meters and controls the exact additive amount.
- **INDUSTRY 4.0 READY**
Flexible and future-oriented OPC-UA interface to provide all process data in standardized format
- **COMFORTABLE OPERATION AND HIGH PROCESS RELIABILITY**
Intuitive control and direct visibility of the process status
- **ENERGY SAVINGS**
Servo-driven scoop-piston pumps save up to 80% energy compared to air-driven pumps
- **SMALL FOOTPRINT**
Compact design, easily moveable with forklift or hand pallet truck

LSR eTwin Connect

Benefits

- Designed for processing 200 liter drums
- Modern and compact machine design
- Exact mixing ratio
- Up to 99,75%1 material utilisation
- Process safe and energy efficient pump technology
- Pulsations free volumetric flow
- Industry 4.0 ready
- Updateable software
- 15,6" multi touch display
- Process optimisation
- Intuitive control
- Easy maintenance
- Including automatic drum lock and user-friendly drum unlock device
- Conversion kit for 20 liter optional
- Wide range of application options - In addition to its familiar use as a metering unit for injection molding machines, the LSR eTwin Connect can be used with other outlet units for a wide range of applications in LSR processing.



Processing unit

- High dosing accuracy with small shot sizes
- Snuffback valve
- Modular configuration
- Easy maintenance

Dimensions	Length	Width	Height
Basic machine	1,150 mm	1,200 mm	1,970 mm
In extended state	1,150 mm	1,200 mm	2,720 mm
Mixing ratio according to volume	1:1		
Dyn. operating pressure (max.)	200 bar		
Operating voltage ³	3x 400-480 VAC + N + PE		
Frequency	50-60 Hz		
Power rating (total)	4.5 kVA		
Air pressure (min.)	6 bar		
Pneumatic connector	G1/2 internal thread		
Compressed air consumption (max.)	500 l/min		
Weight	approx. 695 kg		

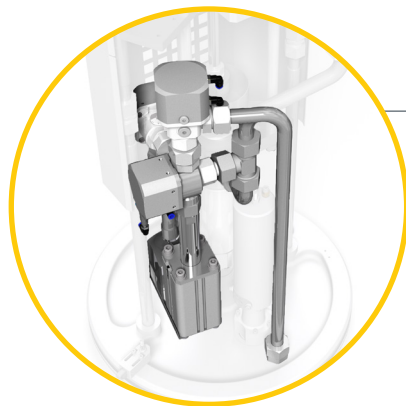
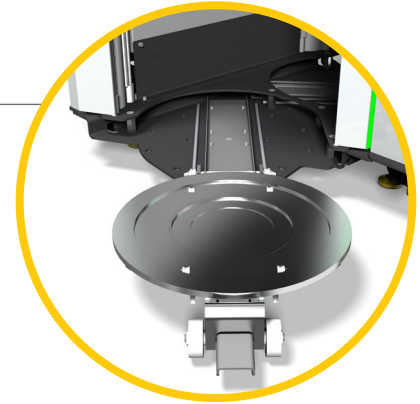
LSR eTwin Connect

Further options

Barrel change system

We invented a flexible system for barrel change for our LSR eTwin Connect. With the drum insertion device the machine can be placed against the wall with a minimum distance of only 40 cm. The barrel is then changed by crane load

- Automatic drum lock
- Drum unlock by foot handling
- Ergonomic and user-friendly
- Drum load via crane or drum lifter

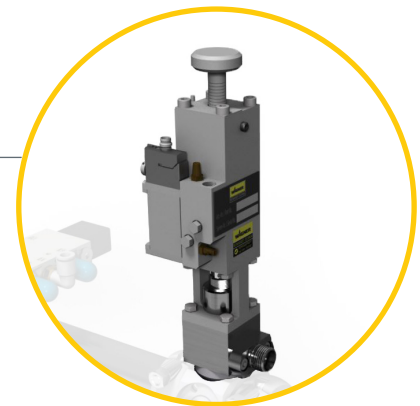


airTract

- Patented pump deaeration
- Up to 95%² material savings during deaeration process
- Cost savings
- Air free material flow
- Applicable for LSR materials up to 60 Shore

Additive dosing valve

- Optional up to 4 additives possible
- Long-lasting
- Compact design
- Tool-free change of additive dosing valve



Additive feeding - mini, midi, maxi

- Mobile additive feeding
- Easy handling of material pressure vessels for additives
- Feeding from 1 liter container, 10 liter container and 20 liter hobbock possible

LSR Conti Mix

The powerful 2K metering and mixing system for continuous, high-volume LSR processing impresses with its programmable control, including the saving of various recipes, and variable discharge amounts for different volumes.



- Programmable and variable output
- No plant modification for different volumes
- Storing various recipes
- Dosing of up to two additives with tandem feeding units
- Preheating of individual components

	Dimensions	Length	Width	Height
Feeding unit		1,070 mm	720 mm	1,600 mm
in extended position		1,070 mm	720 mm	2,600 mm
Dosing unit		1,260 mm	950 mm	1,705 mm
Mixing ratio		1:1 to 30:1		
Output (max.)		6 liter/min		
Operating voltage ³		3x 400 VAC + N + PE		
Frequency		50 Hz		

¹ depending on various factors e. g. material and other parameters

² compared to manual deaeration

³ further network types on request



YOUR GLOBAL PARTNER IN LIQUID SILICONE INDUSTRIE

Processing single or multi-component liquid plastics for LSR injection moulding, bonding, sealing, casting and encapsulation as well as surface treatment applications are our well recognized core competences - combined with system integration and process control.

What started in 1962 with a team of ambitious engineers has grown over half a century to a leading global supplier of metering and mixing equipment with a proven record of innovative solutions in the market.

Reinhardt-Technik is a preferred supplier of dosing and mixing systems for various industries for decades. Experience, profound engineering know-how and global service has made us a partner for many injection molders as well as injection molding machinery manufacturers. We understand the requirements and provide the most beneficial solutions.

As technology leader in the field of LSR processing as well as adhesive and sealant processing, we have been part of J. Wagner GmbH since 2012.

Wagner is a leading manufacturer of surface technologies with more than 1,700 employees globally and headquarter in Markdorf on Lake Constance, Germany.