



YOUR PARTNER FOR METERING AND
MIXING TECHNOLOGY

GLAZING



WHO WE ARE – AND WHAT WE STAND FOR

Joined materials – metals, glass, plastics and composites – is omnipresent in our world, countless products are manufactured from them. Bonding technologies have become more and more replaced traditional joining processes during recent decades, and Reinhardt-Technik is recognized as a pioneer of this trend.

What started in 1962 with a team of ambitious engineers has grown over half a century to a leading global supplier of metering and mixing systems with a proven record of innovative solutions on the market.

Our well received core competences are the processing of liquid performance materials for applications of adhesives and sealants, dispensing technology and surface treatment – combined with full systems integration and process control.

As a technology leader of adhesive and sealant processing we belong to J. Wagner GmbH since 2012.

Wagner is a leading manufacturer of surface technologies with more than 1,400 employees worldwide and headquarters in Markdorf near Lake Constance.

- > **Customer orientation**
- > **Partnership**
- > **Innovative products**
- > **Individual solutions**
- > **Automation**
- > **Reliable applications**
- > **Global service**

GLAZING

Since the first use of glass, it has fascinated the mankind – even today more than ever. Glass shapes the modern architecture like no other material.

Considering the broad commercialization of insulating glass in the early 70s, adhesives and sealants were always an essential ingredient in the manufacture of insulating glass and windows.

The usage has been intensified by structural glass bonding, the so-called “structural glazing”. Nowadays our modern skyscrapers are dominated by glass facades.

With ever more imposing as well by customizing architectural designs the dominance of glass is increasing.

In addition to the aesthetic design, structural glazing must satisfy functional properties like thermal insulation, temperature resistance as well as long-term durability. Only structural bonding, by using of high-performance silicone, adhesives makes this possible.

Adhesives and sealants need to be very accurately processed and precisely applied in order to ensure an optimum bond and sealing.

Constantly increasing demands for higher productivity and quality require reliable processing equipment and an appropriate quality control.

As a leading producer of metering and mixing systems, Reinhard-Technik accompanied the glazing industry since its foundation in 60s.

We offer a wide range of products to process liquid materials in different applications taking the manufacturing environment and local requirements into account.

From simple manual applications to complete solutions with fully automated robot cells with integrated process control – complemented by outstanding service and spare parts availability.

Reinhardt-Technik is also a partner of major adhesive manufacturers, helping to optimize processes and find new solutions for the market – for the benefit of our customers.

Learn more about manufacturing applications and get convinced about our products and system solutions – Made in Germany.

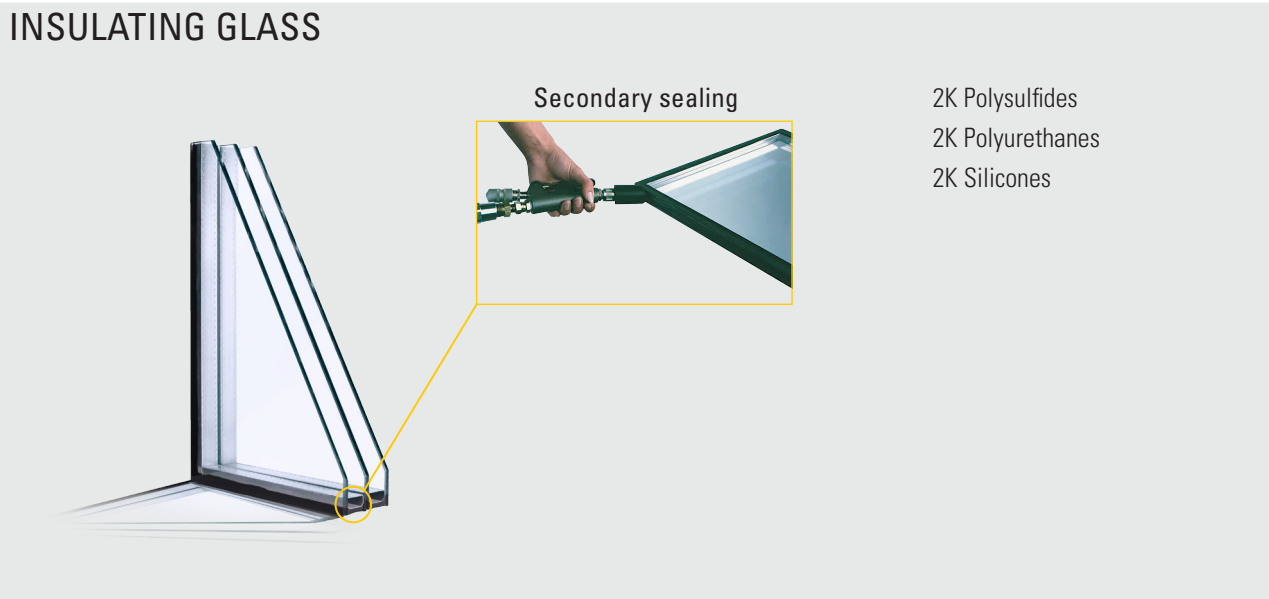


KEY APPLICATIONS

APPLICATION

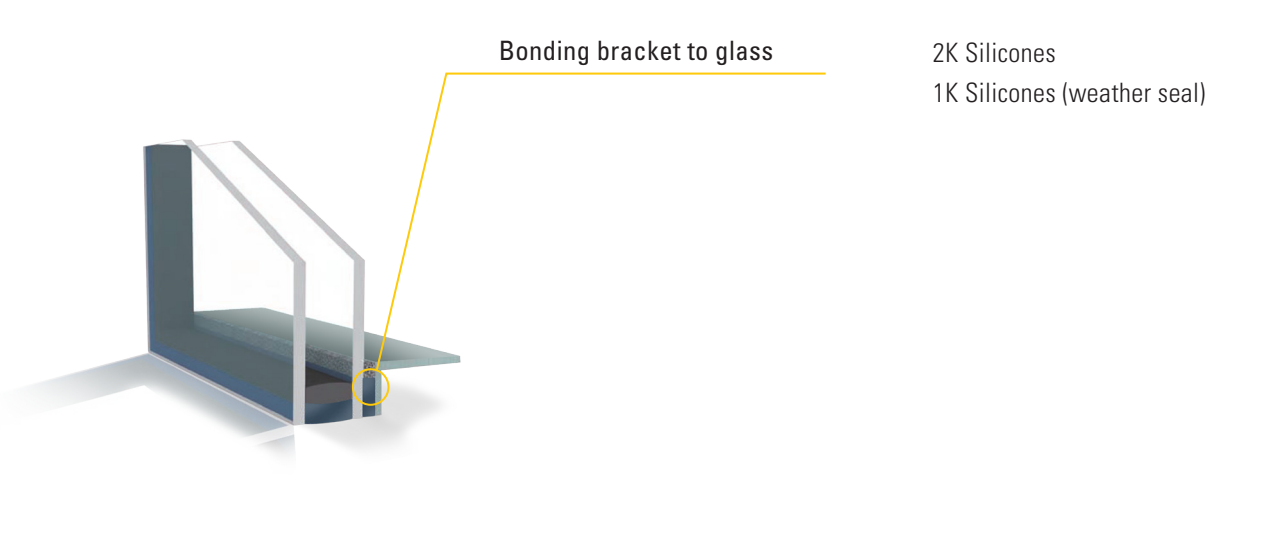
MATERIALS

INSULATING GLASS



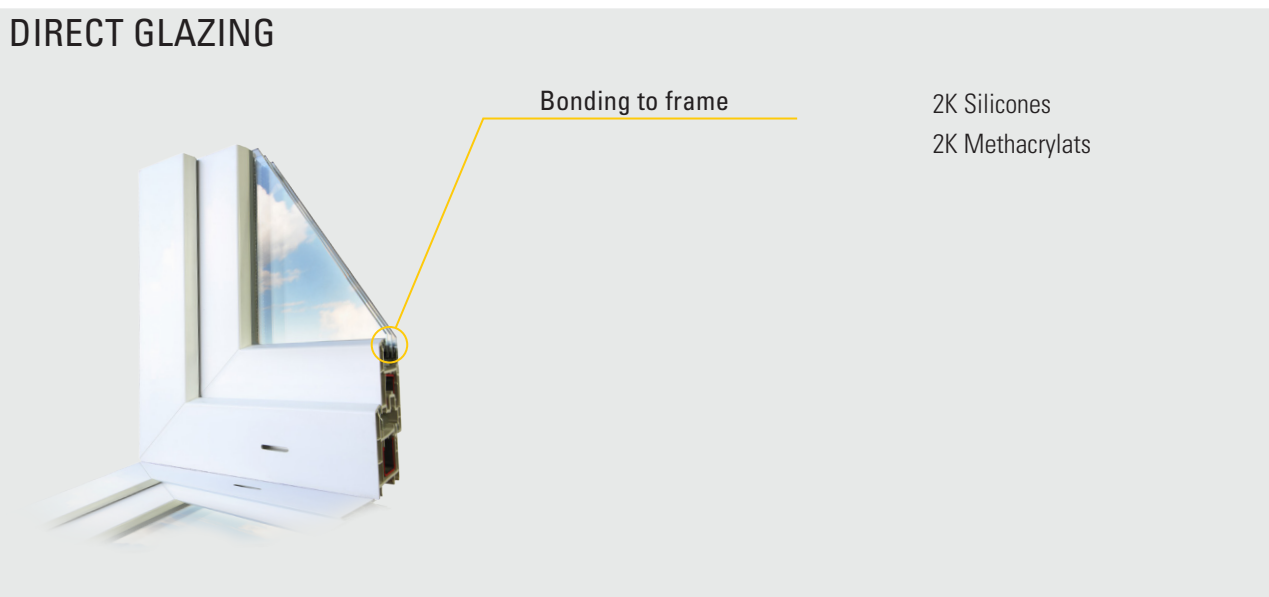
2K Polysulfides
2K Polyurethanes
2K Silicones

STRUCTURAL GLAZING



2K Silicones
1K Silicones (weather seal)

DIRECT GLAZING



2K Silicones
2K Methacrylates

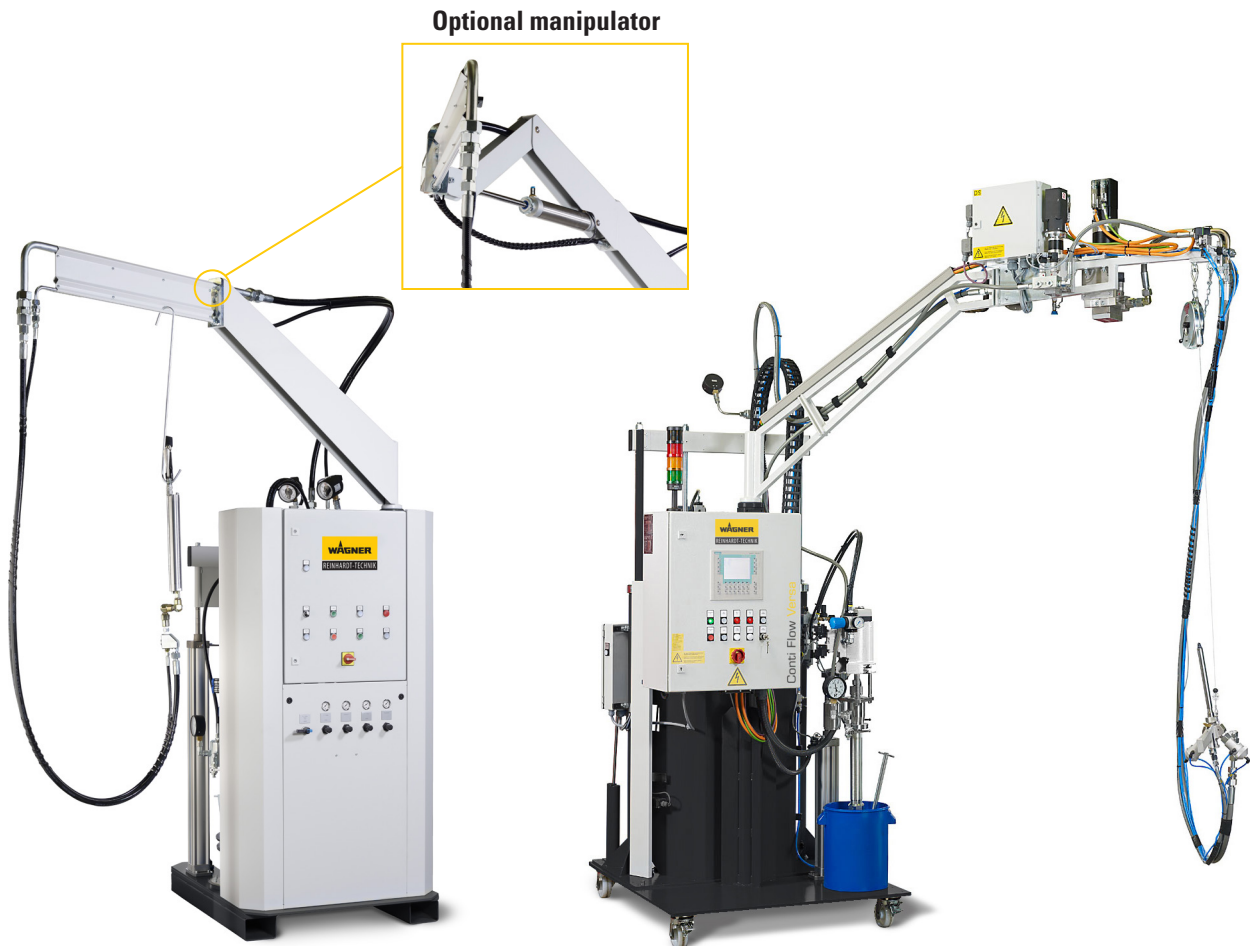
SOLUTION

Ecostar *evo*

The Ecostar evo series is one of most popular manual two-component metering and mixing systems, which is used especially in flexible and compact workspaces.

Conti Flow *Versa*

Conti flow Versa is a mobile and compact meter mix system for liquid- to high-viscous two-component materials.



BENEFITS

- Innovative solutions help to save material, increase productivity and enhance sustainability.
- Robust 1K and 2K processing equipment for reliable operation in demanding production environments.
- Easy handling due to operator friendly and ergonomic design
- Optimized design and functionally based on close cooperation with material manufactures.
- Standardized product portfolio provides on the spot service and spare parts availability.

ECOSTAR EVO VARIANTS



Ecostar **evoclass**

Powerful 2K meter mix plant for most common applications.

Ecostar **evomax**

2K meter mix plant for maximum output requirements.

Ecostar **evoair**

Economic 2K meter mix plant with air motor for reduced output requirements.

AUTOMATION

The challenges of our customers continuously drive our on going innovations and technology developments.

New applications call for new ideas.

Beside our standard product lines we provide customized solutions for various bonding and sealing applications – from product adoptions up to fully integrated robot assembly cells.



FURTHER INNOVATIVE PRODUCTS

Dynamic Mix 3.0

Dynamic mixer with disposable mixing chamber and two component swivel joint for integration into glass sealing plants.



Dynamic Mix 6.0

The innovative dynamic mixer with disposable mixing chamber.



Gamma Mix

Optimal static mixing gun for use with gear metering systems.



Alpha Mix

Optimal static mixer for use with piston pump metering.



Cartridge Filling Device

Comfortable and easy material filling into re-useable cartridges.



Freezer

Freezing and thawing device for mixed two-component materials





YOUR GLOBAL PARTNER IN GLAZING

- Processing and application of single and multi component adhesive and sealants
- Ambient or temperature conditioned equipment
- Complete systems for manual or fully automatic processes
- Innovative process control and verification